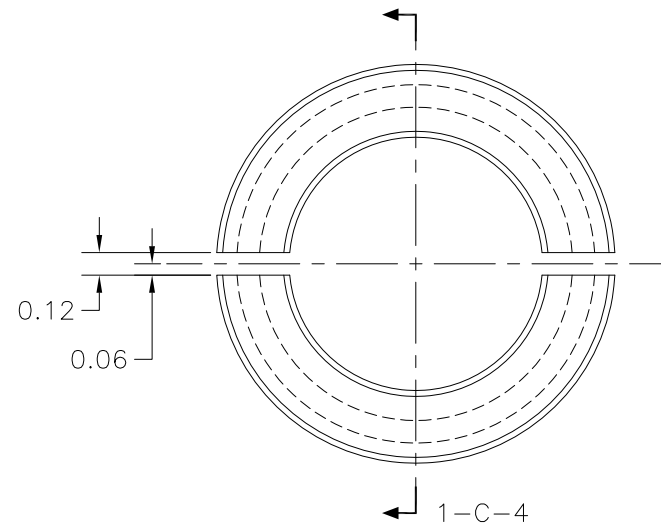


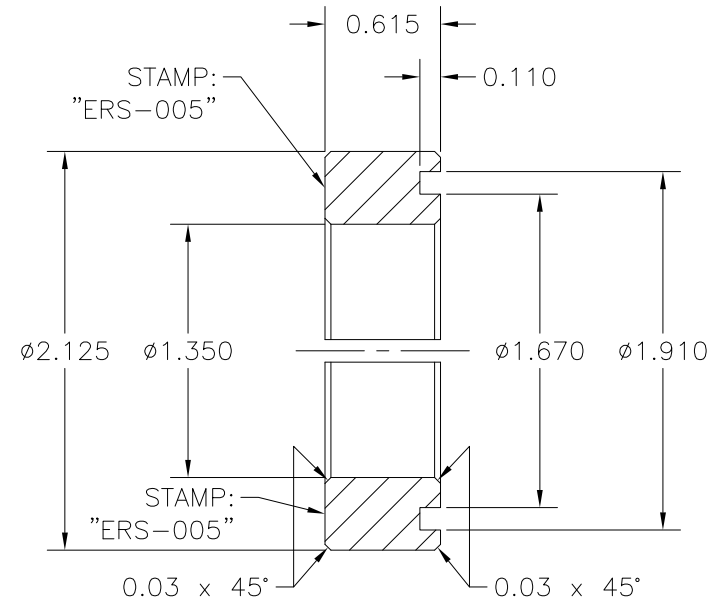
NOTES:

1. MATERIAL: BAR, 316/321 S.S., $\phi 2.125 \times 0.615$ LG.
2. HEAT TREAT: NONE
3. SURFACE TREATMENT: NONE
4. WEIGHT: 0.33 LBS.

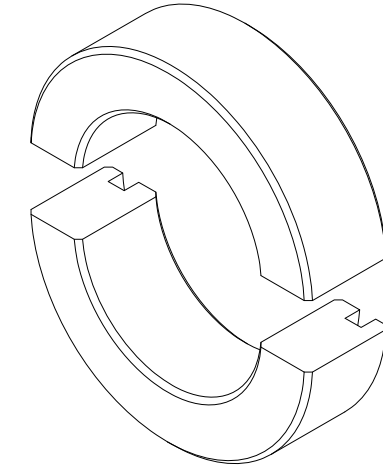
REVISIONS				
NO	DESCRIPTION	DATE	BY	APR/DATE
0	ISSUED FOR MANUFACTURE	05/12/10		



VIEW 1-C-6
LOWER SINKER BAR SPLIT RING



SECTION 1-C-4
REF. 1-B-6



PICTORIAL 1-C-2
LOWER SINKER BAR SPLIT RING
N.T.S.

TOLERANCES: UNLESS OTHERWISE SPECIFIED 0.X ± 0.030 0.XX ± 0.010 0.XXX ± 0.005 ANGLES ± 1/2° BREAK EDGES 0.015 x 45° MIN. FINISH 125 ✓ [0.010]A ALL DIMS ARE IN INCHES, UNLESS NOTED OTHERWISE.	PROPRIETARY NOTICE THIS DRAWING AND THE INFORMATION IT CONTAINS ARE CONSIDERED CONFIDENTIAL, AND MAY NOT BE REPRODUCED, COPIED OR USED, IN PART OR IN WHOLE, WITHOUT PRIOR WRITTEN CONSENT.	Integrated Ocean Drilling Program TEXAS A&M UNIVERSITY 1000 DISCOVERY DRIVE COLLEGE STATION, TX 77845	
		SHEET 1 OF 1 SCALE 1:2 BY KM DATE 03/30/10	TITLE LOWER SINKER BAR SPLIT RING SYSTEM ASSEMBLY 3" ERS CHECKED JCS APPROVED TP